

YORK Fan Coil units

Driven by innovative trends and modern technology, the YORK Fan Coil Units have been designed around a platform of models, versions and accessories, which have been independently tested and certified by Eurovent. The YORK Fan Coil range meets today's demanding requirements of performance, size, acoustics, low energy, ease of installation and maintenance.



An extensive offering

- One of the **most versatile** ranges of fan coils on the market today. Wall and ceiling mounted units, exposed or concealed with centrifugal fan, are included, and with cooling capacities ranging from 0.6 kW to 9.7 kW.
- Dramatic **electrical consumption reduction** of up to 40% comparative to previous models. This is achieved thanks to the supply of all YORK Fan Coil Units equipped with centrifugal fans and electric motors, and with 6 speed motors as standard to offer greater flexibility in the selection of products.
- **Energy saving brushless motor** technology option available. Its combination with a dedicated frequency inverter and unit controller to regulate the fan speed enables higher efficiencies, even at low rotational speeds, lower unit noise, constant speed characteristics and an increase in motor lifetime expectancy. In comparison to the traditional units equipped with asynchronous three-speed-motors, units with brushless motors can obtain a considerable energy saving, by reducing the power consumption by up to 70%.
- A full range of **factory fitted Johnson Controls valve and pre-configured control options** is offered. This in addition to a patented 'wireless' control option - offering greater flexibility in the installation of units, with the highest precision in monitoring and maintaining the desired comfort conditions.
- Many of our ranges are available configured for use with 60Hz voltage, and specially designed cooling coils for **District Cooling applications**.
- **High pressure 'Blower' units** are also available. They can offer up to 29.4 kW of cooling at External Static Pressures of up to 250Pa, and are complemented with a full range of options and accessories covering items such as electrical heating battery, air inlet/outlet diffusers and condensate pumps.



Iconography



Infrared or
Wired control



Wired
control



Dry mode



Timer



Auto
Restart



Sleep
mode



Auto
Sweep



Ducted
Installation



4 Way
Air Flow



Air Filter

YFCN Fan Coil Unit with centrifugal fan

2 & 4 pipe system

A complete range from 0.7 kW to 7.4 kW



YFCN is a range of Fan Coil Units that continues the YORK tradition based on high reliability and low noise levels. It is the result of great commitment in terms of energy and resources to offer a more modern product from every angle, while still delivering the convenience of easy access to the filters in all models.

Moreover each version has the same internal structure, identical in both horizontal and vertical models, in order to standardise production and guarantee a greater flexibility in distribution and installation.



Selection software

Wired controls



WM-3V
Remote three speeds controller

JWC-T
WC-3V + Electronic thermostat and Summer/Winter switch

JWC-AU
Automatic JWC-T



T-MB
Digital Automatic Remote controller

WM-503-AC-EC
Digital Automatic Remote controller to be mounted in the standard light wall box



Infrared control



TUC03+ Terminal unit controller
BacNET and N2 Metasys network compatible

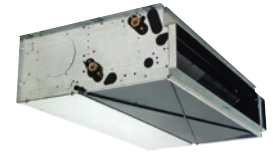


Features

- New casing, improved aesthetics, suitable for any modern indoor ambient
- Full range for all needs: 9 sizes suitable for horizontal or vertical mounting with or without casing
- Low noise operation
- 3 fan speeds (possible choice between 6 fan speeds)
- Single piece discharge grid
- Several coil choices. Single: 3 or 4 rows; Dual: 3 rows cooling & 2 rows heating
- Electrical heater optional
- Suction and discharge plenum optional
- Factory fitted valve (on/off or modulating) and controller packages
- Painted back panel option
- 4 available versions in all range:
 - VC = Vertical Discharge with Casing
 - VCB = Vertical Discharge with Casing (floor installation)
 - HC = Horizontal Discharge with Casing
 - CD = Concealed unit without Casing
- EUROVENT Certified

YFCN Fan Coil Unit with centrifugal fan

0.7 kW to 7.4 kW



Technical features

Model		140	240	340	440	540	640	740	840	940	
Total cooling capacity [kW]	(1)	max	1.20	1.78	2.53	3.08	4.03	4.71	5.48	6.34	7.42
		med	1.00	1.41	1.87	2.25	3.21	3.81	4.56	5.63	6.41
		min	0.65	1.00	1.63	1.81	2.17	2.79	3.51	3.97	4.79
Sensible cooling capacity [kW]	(1)	max	0.94	1.35	1.86	2.30	3.01	3.52	4.13	4.93	5.87
		med	0.77	1.05	1.36	1.65	2.36	2.81	3.39	4.33	4.98
		min	0.49	0.73	1.18	1.32	1.58	2.03	2.57	2.98	3.63
Water flow in cooling [l/h]	(1)	max	212	311	442	537	703	824	960	1 113	1 307
		med	175	246	325	392	559	664	798	986	1 125
		min	115	174	284	315	377	487	612	693	839
Pressure drop in cooling [kPa]	(1)	max	5.6	13.9	11.5	15.5	31.3	36.2	27.7	32.2	23.2
		med	4	9.1	6.7	9	20.8	24.8	20	26.0	17.8
		min	1.9	4.9	5.3	6.1	10.4	14.4	12.5	14.0	10.6
Heating capacity 2 pipes [kW]	(2)	max	1.31	1.83	2.59	3.14	4.01	4.92	5.59	7.20	8.52
		med	1.07	1.43	1.87	2.27	3.16	3.90	4.62	6.27	7.18
		min	0.69	0.99	1.62	1.80	2.10	2.82	3.49	4.26	5.23
Water flow in heating 2 pipes [l/h] *	(2)	max	212	311	442	537	703	824	960	1 113	1 307
		med	175	246	325	392	559	664	798	986	1 125
		min	115	174	284	315	377	487	612	693	839
Pressure drop in heating 2 pipes [kPa]	(2)	max	5.3	11.8	9.8	12.8	25.2	31.8	23.2	31.7	23.7
		med	3.7	7.6	5.4	7.2	16.6	21.1	16.6	24.9	17.6
		min	1.7	4.0	4.2	5.0	8.1	11.9	10.1	12.8	10.0
Heating capacity 4 pipes [kW]	(3)	max	0.91	1.33	1.99	2.33	3.00	3.33	4.20	4.75	5.46
		med	0.77	1.09	1.56	1.81	2.50	2.79	3.59	4.26	4.79
		min	0.55	0.83	1.40	1.52	1.84	2.19	2.89	3.16	3.71
Water flow in heating 4 pipes [l/h] *	(3)	max	78	114	171	200	258	287	361	408	470
		med	66	94	134	156	215	240	309	366	412
		min	47	71	120	131	158	188	249	272	319
Pressure drop in heating 4 pipes [kPa]	(3)	max	1.3	3.1	7.8	10.3	3.2	3.8	6.7	8.3	10.7
		med	1.0	2.2	5.1	6.6	2.3	2.8	5.1	6.9	8.5
		min	0.5	1.3	4.2	4.9	1.3	1.8	3.5	4.1	5.4
Air flow [m ³ /h]		max	220	295	385	485	650	760	925	1 200	1 500
		med	175	220	270	335	495	590	735	1 020	1 210
		min	105	145	235	265	315	415	535	655	830
Sound power level [dB(A)]		max	45	47	49	47	48	52	56	60	64
		med	39	40	40	39	41	46	51	56	58
		min	32	30	36	33	31	37	42	45	50
Sound pressure level [dB(A)]	(4)	max	36	38	40	38	39	43	47	51	55
		med	30	31	31	30	32	37	42	47	49
		min	23	21	27	24	22	28	33	36	41
Power supply [V-ph-Hz]		230 / 1 / 50 + E									
Power input [W]	max	33	40	49	57	61	88	103	130	176	
Absorbed current [A]	max	0.16	0.18	0.23	0.26	0.27	0.39	0.47	0.58	0.78	
Dimensions **	Height	mm	530	530	530	530	530	530	530	530	530
	Width	mm	670	770	985	985	1 200	1 200	1 415	1 415	1 415
	Depth	mm	225	225	225	225	225	225	225	255	255

(1) Room temperature 27°C d.b., 19°C w.b. - Water temperature 7/12 °C.

(2) Room temperature 20°C - Water temperature 45/40 °C. (3) Room temperature 20°C - Water temperature 65/55 °C.

(4) The sound pressure levels are 9 dB(A) lower than the sound power levels and apply to the reverberant field of a 100 m³ room and a reverberation time of 0.5 sec.

* Water flow values as Cooling, accordingly to the EUROVENT standards and UNI ENV 1397.

** Dimensions refer to the units with casing.

Data shown is for 4 row cooling version, 2 pipe system.

For performance of 3 row cooling version please contact your local Johnson Controls sales office.



Manufacturer reserves the rights to change specifications without prior notice.

ECM Technology



Running costs. Energy consumption. Life cycle.

These are 3 issues that are becoming more and more important in the choice of Fan Coil Units. With these criteria in mind, Johnson Controls offers the ECM range of FCU.

ECM technology comprises a **brushless motor** combined to a **dedicated electronic device** (inverter). In comparison to conventional units equipped with asynchronous three-speed motors, the fancoil and cassette units with brushless motors can obtain a considerable energy saving, by **reducing power consumption up to 70%**.

Air flow rate can be varied in continuous by means of a 1-10 V signal generated both by our controls or by independent controls systems. The continuous air flow control improves the **acoustic comfort** and allows a more punctual reply to the variation of the thermal loads, enhancing the **stability of ambient temperature**.

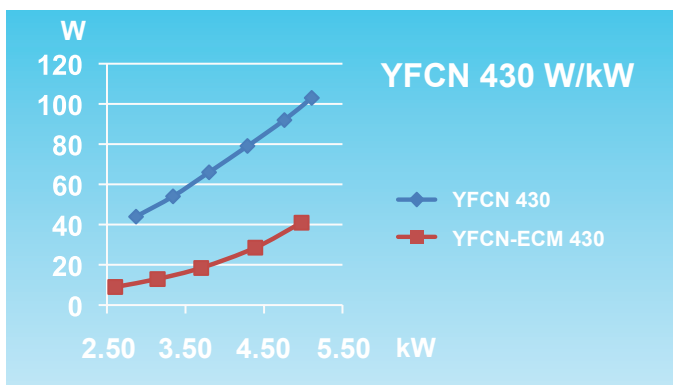
Technology

ECM technology consists of a brushless motor combined with an inverter managed by specific regulators. The controller uses a 0-10 VDC modulating signal to regulate the fan speed.

The brushless electric motor is composed of a rotor having permanent magnets, whose magnetic fields interact with the ones produced by the stator winding. The **transfer of current is no longer by mechanical commutator** (sliding contacts) **but by an electronic commutation system**: one electronic controller (inverter) powers the motor's stator and generates rotating magnetic fields, that in turn determine the rotor's speed.

Brushless motor develop much less heat than the traditional brushed motors and they have much lower mechanical resistance than the standard asynchronous maintenance. The absence of brushes eliminates also the main source of electromagnetic noise.

Power consumption: YFCN versus YFCN-ECM (W/kW)

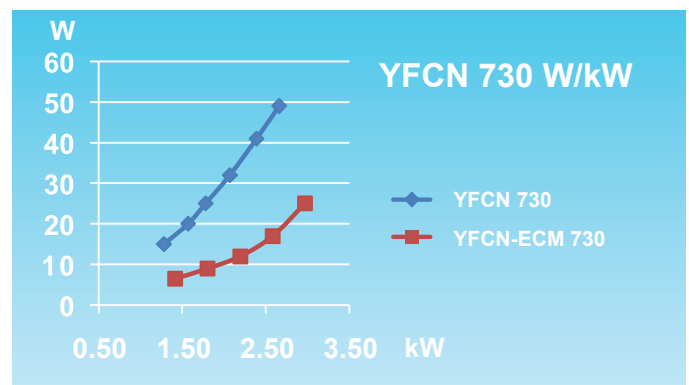


Features

- Brushless motor with inverter.
- 0-10VDC control signal.
- Low mechanical resistance and heat gain
- Continuous regulation of the fan speed.
- Specifically designed electronic and digital regulators, also for BMS systems.
- Possibility to manually set the desired three fan speeds (MIN/MED/MAX).
- Available for fan coil and cassette units.

Advantages (compared to traditional brushed motors)

- Energy saving: electrical absorption reduced up to 70%.
- Higher efficiency: possibility to adapt the air volume and the capacities accordingly to the actual room loads.
- Higher comfort: reduced variation of the temperature and relative humidity in the room.
- Extremely quiet operation.
- Reduced wear and higher reliability.
- Longer life expectancy of the motor.



YFCN-ECM Inverter Fan Coil Unit with centrifugal fan

0.7 kW to 7.1 kW



Technical features

Model		230	240	430	440	630	640	730	740	930	940	
Total cooling capacity [kW]	(1)	max 10v	1.59	1.86	2.95	3.17	3.96	4.51	4.94	5.30	6.26	7.04
		med 5v	1.18	1.32	2.18	2.27	2.93	3.19	3.68	3.82	4.82	5.21
		min 1v	0.73	0.77	1.41	1.43	1.96	2.05	2.60	2.61	3.45	3.59
Sensible cooling capacity [kW]	(1)	max	1.28	1.42	2.26	2.39	3.08	3.38	3.80	3.99	5.10	5.53
		med	0.92	0.98	1.64	1.67	2.22	2.34	2.77	2.82	3.79	3.99
		min	0.55	0.56	1.03	1.03	1.46	1.48	1.92	1.90	2.63	2.69
Water flow in cooling [l/h]	(1)	max	277	323	511	549	686	781	857	918	1 094	1 228
		med	205	229	377	392	506	550	636	660	836	903
		min	127	134	244	248	339	354	449	451	597	621
Pressure drop in cooling [kPa]	(1)	max	8.6	14.8	28.9	16.1	19	33	32.6	25.6	25.9	20.8
		med	5.1	8	17	8.9	11.1	17.8	19.4	14.3	16.1	12.1
		min	2.2	3.2	7.9	4	5.5	8.2	10.5	7.3	8.9	6.3
Heating capacity 2 pipes [kW]	(2)	max	1.80	1.98	3.14	3.32	4.14	4.68	5.08	5.43	7.38	7.93
		med	1.29	1.37	2.26	2.30	3.00	3.23	3.72	3.84	5.41	5.63
		min	0.77	0.78	1.42	1.42	1.96	2.02	2.56	2.57	3.74	3.76
Water flow in heating 2 pipes [l/h] *	(2)	max	277	323	511	549	686	781	857	918	1 094	1 228
		med	205	229	377	392	506	550	636	660	836	903
		min	127	134	244	248	339	354	449	451	597	621
Pressure drop in heating 2 pipes [kPa]	(2)	max	7.0	13.6	26.7	13.7	17.0	29.1	28.3	22.0	24.2	20.9
		med	3.9	7.1	14.9	7.3	9.6	15.1	16.4	12.0	14.0	11.4
		min	1.6	2.6	6.6	3.1	4.5	6.6	8.5	5.9	7.3	5.6
Heating capacity 4 pipes [kW]	(3)	max	1.43	-	2.41	-	3.22	-	4.06	-	5.24	-
		med	1.08	-	1.85	-	2.45	-	3.12	-	4.05	-
		min	0.71	-	1.29	-	1.76	-	2.33	-	2.99	-
Water flow in heating 4 pipes [l/h]	(3)	max	140	-	236	-	317	-	398	-	514	-
		med	106	-	181	-	241	-	306	-	397	-
		min	70	-	126	-	172	-	228	-	292	-
Pressure drop in heating 4 pipes [kPa]	(3)	max	3.5	-	11.0	-	3.6	-	6.3	-	9.9	-
		med	2.1	-	6.9	-	2.2	-	4.0	-	6.3	-
		min	1.0	-	3.6	-	1.2	-	2.4	-	3.7	-
Air flow [m ³ /h]		max	330	325	515	505	735	720	890	875	1 395	1 365
		med	220	210	350	340	495	475	610	585	945	910
		min	120	115	210	200	305	290	400	380	605	575
Sound power level [dB(A)]		max	51	51	51	51	54	54	57	57	64	64
		med	41	41	42	42	44	44	48	48	55	55
		min	30	30	30	30	33	33	37	37	44	44
Sound pressure level [dB(A)]	(4)	max	42	42	42	42	45	45	48	48	55	55
		med	32	32	33	33	35	35	39	39	46	46
		min	21	21	21	21	24	24	28	28	35	35
Power supply [V-ph-Hz]		230 / 1 / 50 + E										
Power input [W]	max	21	21	25	25	32	32	41	41	99	99	
Absorbed current [A]	max	0.18	0.18	0.22	0.22	0.28	0.28	0.34	0.34	0.81	0.81	
Dimensions **	Height	mm	530	530	530	530	530	530	530	530	530	
	Width	mm	770	770	985	985	1 200	1 200	1 415	1 415	1 415	
	Depth	mm	225	225	225	225	225	225	225	225	255	

(1) Room temperature 27°C d.b., 19°C w.b. - Water temperature 7/12 °C

(2) Room temperature 20°C - Water temperature 45/40 °C

(3) Room temperature 20°C - Water temperature: 65/55°C

(4) The sound pressure levels are 9 dB(A) lower than the sound power levels and apply to the reverberant field of a 100 m³ room and a reverberation time of 0.5 sec.

* Water flow values as Cooling, accordingly to the EUROVENT standards and UNI ENV 1397 ** Dimensions refer to the units with casing



Manufacturer reserves the rights to change specifications without prior notice.

Options / Accessories

Compatibility table / Codes

Model	YFCN AC motor + Standard control devices		
	VC/VCB mod. - Vertical with casing	HC mod. - Horizontal with casing	CD mod. - Without casing
Controls for style VC (supplied with separate packaging)			
Three speed control BL (1)	9060130	-	-
Three speed control + electronic thermostat and S/W switch TMV-S (2)	9060140	-	-
Three speed control + electronic thermostat and centralized S/W - TLC (2)	9060133	-	-
Automatic speed control with electronic thermostat and S/W switch ATL (2)	9066319	-	-
Controls for style HC/CD (supplied with separate packaging)			
Remote three speed control WM-3V (1) (4)	-	9066642	9066642
Remote three speed control + electronic thermostat JWC-T and manual S/W switch (2)	-	9066630K	9066630K
Remote three speed control + electronic thermostat and centralized/manual S/W switch JWC-TQR (2) (3)	-	9066631K	9066631K
Automatic speed control with electronic thermostat and S/W switch - JWC-AU (to be used with UPM-AU and UP-AU only) (2) (3)	-	9066632K	9066632K
Automatic remote control with electronic thermostat, S/W switch and liquid crystal display T-MB (to be used with UPM-AU and UP-AU only) (2) (3)	-	9066331E	9066331E
Automatic speed control with electronic thermostat to be mounted in the light wall box WM-503-AC-EC (to be used with UP-503-AC-EC only)	-	9066686E	9066686E
Electromechanical thermostat T2T (4) (5)	-	9060174	9060174
Power unit UPM-AU for JWC-AU and T-MB remote controls, fitted on the unit	9066641	9066641	9066641
Power unit UP-AU for JWC-AU and T-MB remote controls, not fitted on the unit	9066640	9066640	9066640
Power unit UP-503-AC-EC for WM-503-AC-EC remote control only, not fitted on the unit	9066677	9066687	9066687
Controls accessories for all versions (supplied with separate packaging)			
Low temperature cut-out for controls TLC	3021091	3021091	3021091
Low temperature cut-out for controls TMV-S, WC-3V and JWC-T	9053048	9053048	9053048
Low temperature cut-out for controls ATL, ATL-E, JWC-TQR, WM-503-AC-EC and UP-AU power unit	3021090	3021090	9053049
T2 sensor to be used as Change-over for controls ATL, ATL-E and UP-AU power unit	9025310	9025310	9025310
Change-over 15-25 for control TLC and JWC-TQR	9053049	9053049	9053049
Receiving speed selector for centralized control (slave) style VC RECV	9060136	9060136	9060136
Receiving speed selector for centralized control (slave) style HC/CD SEL-CR	9066311	9066311	9066311
Terminal board adaptor kit KIT	9060103	-	-
Controls for style VC + additional electric resistance (supplied with separate packaging)			
Three speed control with electronic thermostat and S/W switch TMV-R-IAQ	9063006	-	-
Automatic speed control with electronic thermostat and S/W switch ATL-E (2) (3)	9066643	-	-
Controls for style HC/CD + additional electric resistance (supplied with separate packaging)			
Remote three speed control + electronic thermostat and centralized/manual S/W switch JWC-TQR (2) (3)	-	9066631K	9066631K
Automatic speed control with electronic thermostat and centralized S/W - JWC-AU (2) (3)	-	9066632K	9066632K
Automatic remote control with electronic thermostat, S/W switch and liquid crystal display T-MB (2) (3)	-	9066331E	9066331E

WARNING

(1) Not to be used with valves. (2) Can be used with valves and/or low temperature cut-out. (3) Can be used with Change Over. (4) Not suitable with -E electric heater. (5) To be used with valve and not to be used with low temperature cut-out.

Options / Accessories

Compatibility table / Codes

Model	YFCN AC motor + MB control devices
Versions	ALL VERSIONS: VC/VCB - Vertical w. casing + HC - Horizontal with casing + CD without casing ALL VERSIONS: VC/VCB + HC + CD with electric heater
Controls and accessories for all versions	
Mounted power unit MB-M	9066332
Not mounted power unit MB-S	9066333
Wall control T-MB	9066331E
IR remote control and mounted IR receiver RM-RT03	9066336
IR remote control and not mounted IR receiver RS-RT03	9066337
IR remote control RT03	3021203
Mounted IR receiver RM	9066339
Not mounted IR receiver RS	9066338
Multifunction wall control up to 60 units PSM-DI	3021293
T2 sensor (to be used as Change-over or minimum temp. Sensor)	9025310
Management system for a network of fan coils with MB electronic board	
Hardware/software supervisory system (to be used with MB board only) NET	9079118
Router-S for NET (default) or for BMS systems no provided by YORK	3021290
Relay output board SIOS	3021292

With T-MB wall control

One control for each unit
(Maximum length of the connection cable = 20 m)



One control for more units (20 units max.)
(Maximum total length of the connection cable = 800 m)



With RT03 Infra-red remote control

One control for each unit



One control for more units (20 units max.)
(Maximum total length of the connection cable = 800 m)

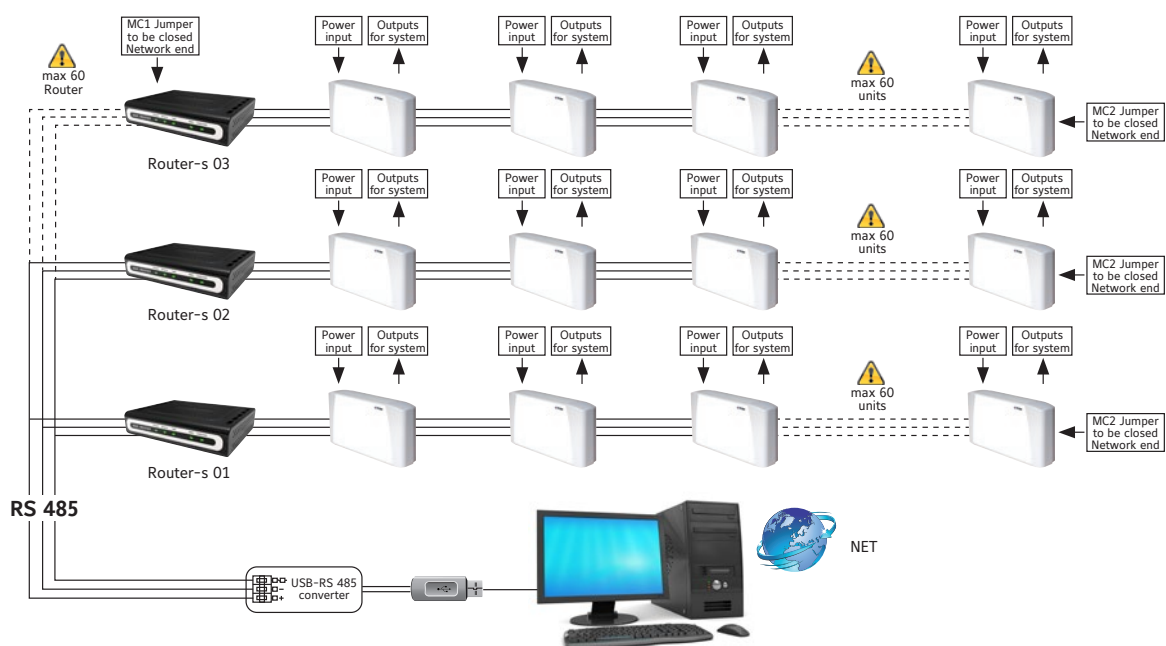


Options / Accessories

Compatibility table / Codes

Model	YFCN ECM motor + Standard control devices		
Versions	VC/VCB mod. - Vertical with casing	HC mod. - Horizontal with casing	CD mod. - Without casing
Controls accessories for all versions (supplied with separate packaging)			
Low temperature cut out NTC for control TMV-T-ECM, WM-S-ECM and UP-AU power unit		3021090	
T2 sensor to be used as Change-over for UP-AU power unit		9025310	
Change over CH 15-25 for control TMV-T-ECM		9053049	
Model	YFCN ECM motor + MB control devices		
Versions	VC/VCB mod. - Vertical with casing	HC mod. - Horizontal with casing	CD mod. - Without casing
Controls for style VC (supplied with separate packaging)			
Continuous fan speed control with electronic thermostat and S/W switch TMV-T-ECM	9060141	-	-
Controls for style HC/CD (supplied with separate packaging)			
JWC-AU Automatic speed control with electronic thermostat and centralized S/W switch (1) (2)	-	9066632K	9066632K
T-MB Automatic remote control with electronic thermostat, S/W switch and liquid crystall display (1) (2)	-	9066631E	9066631E
WM-S-ECM Continuous fan speed control with S/W switch and liquid crystall display	-	9066644	9066644
UPM-AU power unit for JWC-AU and T-MB remote controls, fitted on the unit	9066641	9066641	9066641
UP-AU power unit for JWC-AU and T-MB remote controls, not fitted on the unit	9066640	9066640	9066640
Accessories of controls for VC, HC-VCB and CD models (supplied with separate packaging)			
MB-ECM-M mounted power unit for ECM fan coil	9066334	9066334	9066334
MB-ECM-S not mounted power unit for ECM fan coil	9066335	9066335	9066335
Wall control T-MB	9066331E	9066331E	9066331E
IR remote control and mounted IR receiver RM-RT03	9066336	9066336	9066336
IR remote control and not mounted IR receiver RS-RT03	9066337	9066337	9066337
IR remote control RT03	3021203	3021203	3021203
Mounted IR receiver RM	9066339	9066339	9066339
Not mounted IR receiver RS	9066338	9066338	9066338
Multifunction wall control up to 60 units PSM-DI	3021293	3021293	3021293
T2 sensor (to be used as Change-over or minimum temperature Sensor)	9025310	9025310	9025310
Management system for a network of fan coils with MB electronic board			
Hardware / software supervisory system Net	9079118	9079118	9079118
Router-S for NET (default) or for BMS systems no provided by YORK	3021290	3021290	3021290
Relay output board SIOS	3021292	3021292	3021292

(1) Can be used with valves and/or low temperature cut-out. (2) Can be used with Change Over.



Options / Accessories

Compatibility table / Codes

Model	YFCN General accessories								
	130/140	230/240	330/340	430/440	530/540	630/640	730/740	830/840	930/940
Valves all versions									
3 way double valve kit for 4 tube installation and single coil + kit fitted on the unit					9066572W				
3 way double valve kit for 4 tube installation and single coil + kit not fitted on the unit					9066562W				
Kit 3 way valve mounted			9066561					9060471	
Kit 3 way valve additional battery mounted					9060472				
Kit 3 way valve not mounted			9066560					9060474	
Kit 3 way valve additional battery not mounted					9060475				
Kit 2 way valve primary and/or additional battery mounted			9060476					-	
Kit 2 way valve primary battery mounted			-					9060477	
Kit 2 way valve primary and/or additional battery not mounted			9060478					-	
Kit 2 way valve primary battery not mounted			-					9060479	
2 way DN 10 balance valve for main coil + kit fitted on the unit		9066660					-		
2 way DN 15 balance valve for main coil + kit fitted on the unit		-			9066661				-
2 way DN 20 balance valve for main coil + kit fitted on the unit				-					9066662
2 way DN 10 balance valve for additional coil + kit fitted on the unit			9066663					-	
2 way DN 15 balance valve for additional coil + kit fitted on the unit			-						9066664
2 way DN 10 balance valve for main coil + kit not fitted on the unit		9066650					-		
2 way DN 15 balance valve for main coil + kit not fitted on the unit		-			9066651				-
2 way DN 20 balance valve for main coil + kit not fitted on the unit				-					9066652
2 way DN 10 balance valve for additional coil + kit not fitted on the unit			9066653					-	
2 way DN 15 balance valve for additional coil + kit not fitted on the unit			-						9066654
Valves CD versions only									
Simplified 3-way valve kit for CD version fitted			9066571					9060484	
Simplified 3-way valve kit for CD version not fitted			9066570					9060481	
Simplified 3-way valve kit for CD version not fitted - additional battery					9060480				
Electric heater VC/VCB/CH version									
El. resistance and relays fitted on the unit (650 W) VC/HC	9066491E					-			
El. resistance and relays fitted on the unit (400 W) VC/HC	-	9066472E				-			
El. resistance and relays fitted on the unit (600 W) VC/HC	-	9066482E	9066473E				-		
El. resistance and relays fitted on the unit (750 W) VC/HC			-		9066475E			-	
El. resistance and relays fitted on the unit (900 W) VC/HC		-		9066483E				-	
El. resistance and relays fitted on the unit (1000 W) VC/HC	-	9066492E						9066477E	
El. resistance and relays fitted on the unit (1250 W) VC/HC			-		9066485E			-	
El. resistance and relays fitted on the unit (1500 W) VC/HC		-		9066493E				9066487E	
El. resistance and relays fitted on the unit (2000 W) VC/HC			-		9066495E			-	
El. resistance and relays fitted on the unit (2500 W) VC/HC				-				9066497E	
Electric heater CD version									
El. resistance and relays fitted on the unit (700 W) CD	9066611					-			
El. resistance and relays fitted on the unit (400 W) CD	-	9066592				-			
El. resistance and relays fitted on the unit (600 W) CD	-	9066602	9066593					-	
El. resistance and relays fitted on the unit (750 W) CD			-		9066595			-	
El. resistance and relays fitted on the unit (900 W) CD		-		9066603				-	
El. resistance and relays fitted on the unit (1000 W) CD	-	9066612						9066597	
El. resistance and relays fitted on the unit (1250 W) CD			-		9066605			-	
El. resistance and relays fitted on the unit (1500 W) CD		-		9066613				9066607	
El. resistance and relays fitted on the unit (2000 W) CD			-		9066615			-	
El. resistance and relays fitted on the unit (2500 W) CD				-				9066617	

Options / Accessories

Compatibility table / Codes

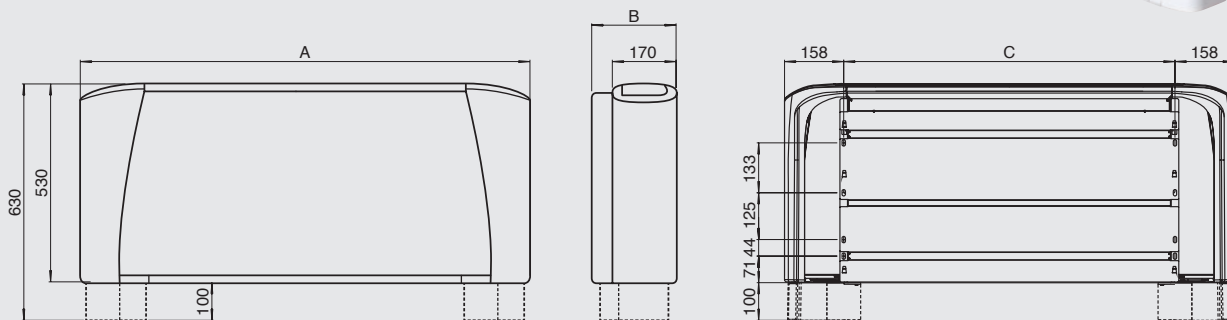
Model	YFCN General accessories								
	130/140	230/240	330/340	430/440	530/540	630/640	730/740	830/840	930/940
Accessories for all versions									
Pair feet	9060150						9060151		
Vertical auxiliary condensate tray	6060400								
Horizontal auxiliary condensate tray for HC (left connections)	6060402								
Horizontal auxiliary condensate tray for HC (right connections)	6060403								
Horizontal auxiliary condensate tray for CD	6066039								
Condensate pump for VC - VCB - CD fitted on the unit auxiliary condensate collection tray included (vertical installation)	9066297								
Condensate pump for VC - VCB - CD not fitted on the unit auxiliary condensate collection tray included (vertical installation)	9066296								
Condensate pump for HD fitted on the unit auxiliary condensate collection tray to be ordered separately (horizontal installation)	9066295								
Condensate pump for CD not fitted on the unit auxiliary condensate collection tray included (horizontal installation)	9066180								
Condensate drain pipe	6060420								
Damper	9066531	9066532	9066533	9066535	9066537	9066538			
Kit breeze	-	9076452	9076453	9076455	-				
Recessed box	-	9076462	9076463	9076465	-				
Rear closing panel VC	9062005	9060180	9060181	9060182	9060183				
Rear closing panel HC	9060187	9060190	9060191	9060192	9060193	9060194			
Frontal air intake CD mounted	9066501	9066502	9066503	9066505	9066507	9066508			
Intake grid for VC	9060229	9060230	9060231	9060232	9060233				
Adaptor for terminal board VC for remote control	9060103								
Accessories only for concealed version CD									
Outlet flange 90° FM90	9066381	9066382	9066383	9066385	9066387	9066388			
Inlet flange 90° FR90	9066441	9060710	9060711	9060712	9060713	9060714			
Straight inlet flange FRD	9066451	9060720	9060721	9060722	9060723	9060724			
Straight outlet flange FMD	9066371	9066372	9066373	9066375	9066377	9066378			
Outlet spigot diffuser PMC	9066361	9066362	9066363	9066365	9066367	9066368			
Air outlet grid BMA	9066411	9060750	9060751	9060752	9060753				
Air inlet grid GRAG	9066431	9060764	9060765	9060766	9060767				
Air inlet grid GRAP	9066421	9060760	9060761	9060762	9060763				
Air inlet spigot plenum PRC	9066461	9066462	9066463	9066465	9066467	9066468			
Intake grid with filter (to be used in combination with inlet flange 90°) GRAFP	9066391	9060770	9060771	9060772	9060773				
Intake grid with filter (to be used in combination with straight inlet flange) GRAFG	9066401	9060774	9060775	9060776	9060777				
Silencer Plenum BXS	-	-	9069081	9069082	9069083				
Hotel box kit for concealed installation for horizontal model (frontal return and air supply) CHK	-	-	9066783	9066785	9066787	-	-		

Dimensions

YFCN / YFCN-ECM 130 to 940 (with casing)



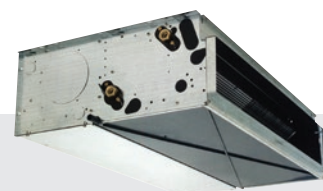
VC, VCB and HC models



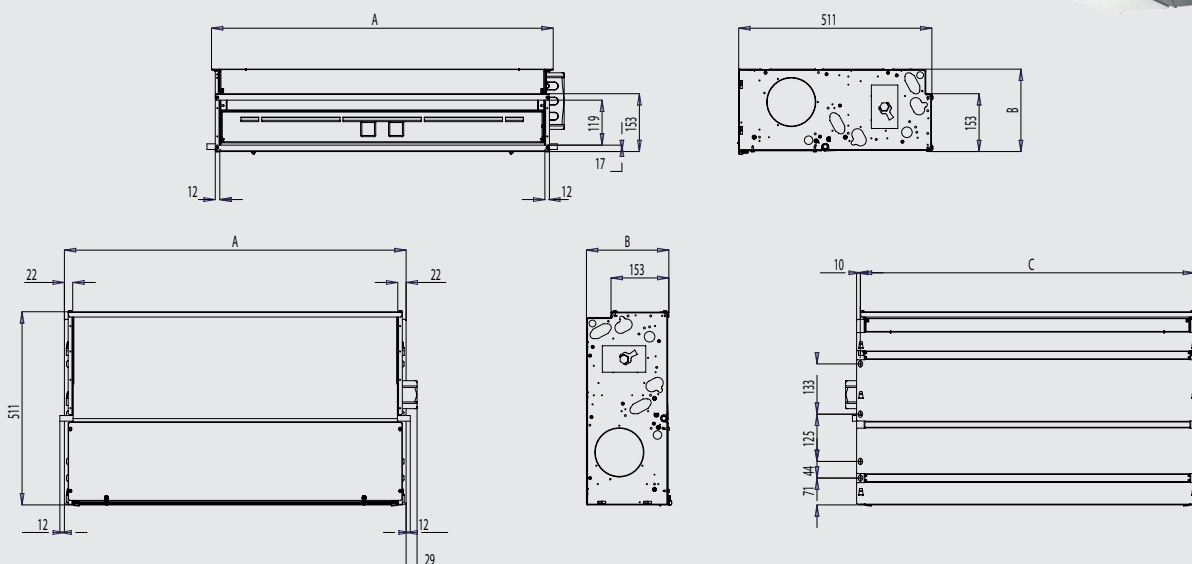
All dimensions in mm. Drawings not a scale.

Model	130 / 140	230 / 240	330 / 340	430 / 440	530 / 540	630 / 640	730 / 740	830 / 840	930 / 940
A	670	770	985	985	1 200	1 200	1 415	1 415	1 415
B	225	225	225	225	225	225	225	255	255
C	354	454	669	669	884	884	1 099	1 099	1 099

YFCN / YFCN-ECM 130 to 940 (without casing)



CD models



All dimensions in mm. Drawings not a scale.

Model	130 / 140	230 / 240	330 / 340	430 / 440	530 / 540	630 / 640	730 / 740	830 / 840	930 / 940
A	374	474	689	689	904	904	1 119	1 119	1 119
B	218	218	218	218	218	218	218	248	248
C	354	454	669	669	884	884	1 099	1 099	1 099